

MEC24 modulating fan control



READ AND SAVE THESE INSTRUCTIONS!



Product information

Chapters 1 + 2



Mechanical installation

Chapter 3



Electrical installation

Chapter 4



Start up and configuration

Chapter 5



Maintenance and troubleshooting

Chapter 6

USA

CAN

Job name: _____






Installer: _____

Installation date: _____

Distributor contact information:
ENERVEX Inc. • T: 800.255.2923
info@enervex.com • www.enervex.com

Contents

2

	1. Product information	
	1.1 Function	4
	1.2 Shipping	4
	1.3 Warranty	4
	2. Specifications	
	2.1 Dimensions and capacities	5
	3. Mechanical installation	
	3.1 Location	6
	3.2 Mounting of control	6
	3.3 Mounting of transducer	7
	3.4 Mounting of stack probe	7
	3.5 Connecting transducer to stack probe	7
	4. Electrical installation	
	4.1 General	8
	4.2 Continuous chimney fan operation	9
	4.3 Intermittent chimney fan operation (120 V)	10
	4.4 Connection to a variable frequency drive	12
	4.5 Integrated Proven Draft Switch with external Proven Draft Switch backup	13
	5. Startup and configuration	
	5.1 General	14
	5.5 Basic control set-up	14
	5.6 Detailed control programming	15
	6. Settings and troubleshooting	
	6.1 Troubleshooting	16
	6.2 Settings	17

Symbol legend

The following terms are used throughout this manual to bring attention to the presence of potential hazards or to important information concerning the product.



DANGER

Indicates an imminent hazardous situation which, if not avoided, will result in death, serious injury or substantial property damage.



CAUTION

Indicates an imminent hazardous situation which, if not avoided, may result in personal injury or property damage.



TO REDUCE THE RISK OF FIRE, ELECTRICAL SHOCK OR INJURY TO PERSONS, OBSERVE THE FOLLOWING:

1. Use this unit in the manner intended by the manufacturer. If you have questions, contact the manufacturer's distributor at the address or telephone number listed on the front of the manual.

2. Before servicing or cleaning the unit, switch off at service panel and lock service panel to prevent power from being switched on accidentally.

3. Installation work and electrical wiring must be done by a qualified person(s) in accordance with applicable codes and standards.

4. Follow the appliance manufacturer's guidelines and safety standards such as those published by the National Fire Protection

Association (NFPA), and the American Society for Heating, Refrigeration and Air Conditioning Engineers (ASHRAE), and the local code authorities.

5. This unit must be grounded.

How to use this manual

This installation manual does not contain any system design documentation. System design documentation is available from ENERVEX.

Accessories and variable frequency drives are not covered by this manual. Please refer to these component's individual manuals.

Symboles

Les termes suivants sont utilisés dans ce manuel pour attirer l'attention sur la présence de dangers potentiels ou sur des informations importantes concernant le produit.



DANGER

Indique une situation dangereuse imminente qui, si elle n'est pas évitée, aura pour résultat la mort, des blessures graves ou des dommages matériels considérables.



CAUTION

Indique une situation dangereuse imminente qui, si elle n'est pas évitée, aura pour résultat des blessures ou des dommages matériels.



AFIN DE RÉDUIRE LE RISQUE D'INCENDIE, DE CHOC ÉLECTRIQUE OU DE BLESSURES, VEUILLEZ RESPECTER LES POINTS SUIVANTS :

1. Utilisez cet appareil de la manière prévue par le fabricant. Si vous avez des questions, contactez le distributeur du fabricant à l'adresse postale ou au numéro de téléphone figurant sur le manuel.

Association (NFPA), la American Society for Heating, Refrigeration and Air Conditioning Engineers (ASHRAE), et les autorités locales.
2. Avant toute intervention de maintenance ou de nettoyage de l'appareil, le mettre hors tension au niveau du panneau de service et verrouiller le panneau de service afin d'empêcher toute mise sous tension accidentelle.
3. Les travaux d'installation et le câblage électrique doivent être effectués par une/des personne(s) qualifiée(s) conformément aux lois et normes applicables.
4. Suivez les directives du fabricant de l'appareil et les normes de sécurité telles que celles publiées par la National Fire Protection Association (NFPA), la American Society for Heating, Refrigeration and Air Conditioning Engineers (ASHRAE), et les autorités locales.
5. L'appareil doit être mis à la terre.

Comment utiliser ce manuel

Ce manuel d'installation ne contient aucune documentation de conception du système. La documentation de conception du système est disponible à partir d'ENERVEX.

Les accessoires et variateurs de fréquence ne sont pas couverts par ce manuel. Prière de vous reporter aux manuels individuels de ces composants.

1. Product information

4

1.1 Function

Use The **exodraft** MEC24 is a Mechanical Exhaust Control used to monitor and maintain a constant pressure in a duct system. This is achieved by modulating the speed of a fan or ventilator. The MEC24 can be used with the **exodraft** models EFV, RSV and the models BEFx and BESF. It can control the fan speed directly or via a Variable Frequency Drive (VFD). The MEC24 is typically used to control the pressure in duct systems serving clothes dryers, bathrooms, kitchen hoods and other building venting applications.

Function The control monitors the pressure in a duct system via connection to a pressure sensor (XTP) , and maintains the pressure by modulating the fan speed. The control has an integrated safety system that assures the appliance shuts down in the event of fan and/or control failure.

The use of the MEC24 is not restricted to any type of duct or venting application. When the appliance is activated, the control sends maximum voltage to the fan or VFD. Once the specified pressure is achieved, the control regulates the voltage to the fan or VFD to maintain the specified pressure (the value can be viewed on the display).

If desired, the control can be interlocked with an appliance. When the appliance is activated, the control sends maximum voltage to the fan or VFD. Once the specified pressure is achieved, the control releases the appliance for operation and continues to regulate the voltage to the fan or VFD to maintain the specified pressure (the value can be viewed in the display). In the event of insufficient pressure, the control assures the appliance(s) shuts down after 15 seconds. When the appliance shuts down, the control turns off the fan.

The control can be used in one of two ways:

- Interlocked with the appliance to pre-purge the duct prior to appliance start-up and post-purge the duct for 3 minutes after appliance shut down.
- Set to run the fan continuously.

In most cases, local codes will require continuous fan operation.

Other functions The control has an integrated safety function. It can be operated with a manual reset function (reset button) or an automatic reset function. All terminal connections are monitored by LED's for easy service and troubleshooting.

1.2 Shipping

The MEC24 standard packing list

- MEC24 control unit
- Pressure transducer (XTP)
- Silicone tubing
- Stack probe

If other components are shipped, these will appear as separate items on the shipment packing list.

1.3 Warranty

Complete warranty conditions are available from ENERVEX, Inc.

2. Specifications

2.1 Dimensions and capacities

exodraft MEC24 Control		
Power supply	V	1x120 VAC / 60 Hz
Fuse Size Control/Motor	A	0.4/6.3
Max. Motor Load	kW/hp	0.35/0.5
Operating temperature	°F/°C	-4 to 122/-20 to 50
Range of operation	inWC/Pa	-4 to 4/-1000 to 1000
Tolerance	inWC/Pa	0.01/3+/-10%
Control signal VFD	VDC/mA	0-10/max. 10
Control and Alarm relay	Max	120 VAC/4A AC1 - 24 VDC/2A DC1
Boiler Inputs		10-48 VDC / 10-132 VAC
VFD Relay	Max	120 VAC/2A AC1 - 24VDC/2A DC1
Output TRIAC	VAC	10-120
Dimensions	A in/mm	6.88/175
	B in/mm	8.48/215
	C in/mm	4.33/110
Weight	lbs/kg	3.0/1.5
IP-Rating		NEMA 4X / IP54
Ashcroft XTP-sensor		
Power supply	VDC	14-36
Amperage	mA	6
Output	VDC	0-10
Operating temperature	°F/°C	0 to 160/-17 to 70
Tolerance	inWC/Pa	0.01/3+/-10%
Weight	lbs/kg	.9/.4
Chimney Probe		
Dimensions	H in/mm	4.25/108
	I in/mm	3.50/89

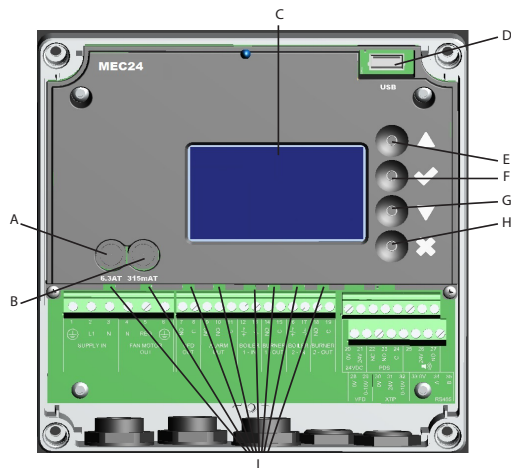
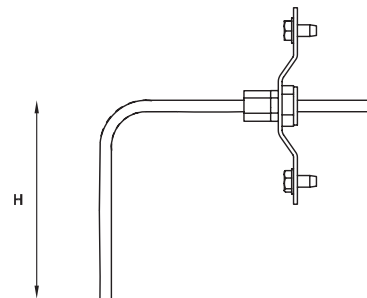
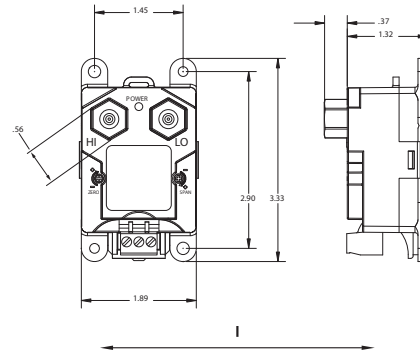
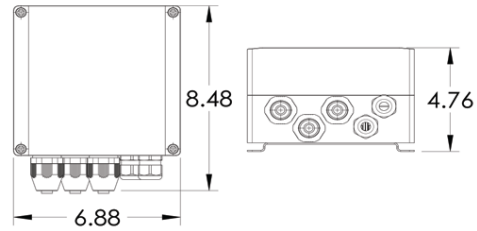


Fig. 1

Symbols

- Fig. 1-A Fuse holder Exhaust Fan
- Fig. 1-B Fuse holder Control
- Fig. 1-C Display 128 x 64 pixels
- Fig. 1-D USB port
- Fig. 1-E Up button
- Fig. 1-F Select / Confirm button
- Fig. 1-G Down button
- Fig. 1-H Reset / Back button
- Fig. 1-I LEDs (green) showing ON/OFF status



3. Mechanical installation

6

3.1 Location

The control and the transducer can be installed indoors and outdoors. The control does not need to be installed in an enclosure. Fig. 2 shows how the components are connected.

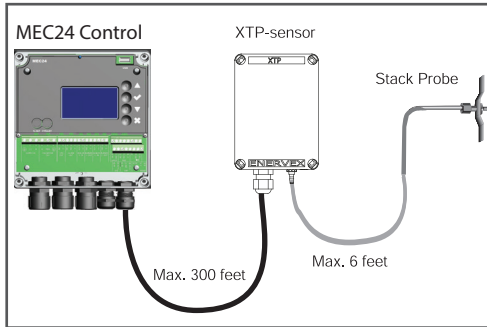


Fig. 2

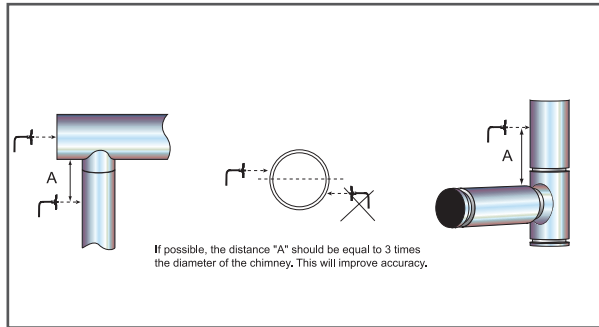


Fig. 2a



The transducer cannot be mounted inside an airtight enclosure. It uses the boiler room pressure/atmospheric pressure as reference pressure.

3.2 Mounting of control

The control can be mounted directly on a wall or similar.

- Remove the clear cover.
- The mounting holes are located under the plastic screws that hold the cover in place (Fig. 3).
- The distance between the control and the transducer should not exceed three hundred (300) feet.

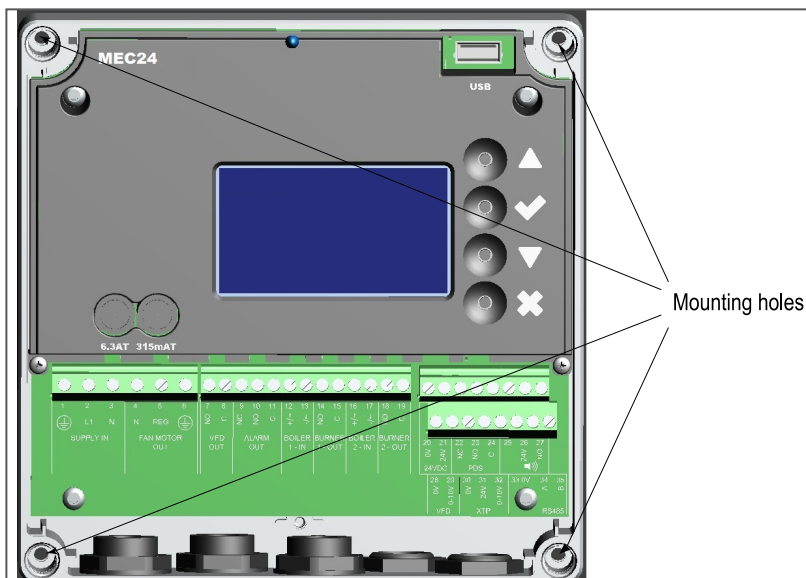


Fig. 3

3.3 Mounting of transducer

Attention must be paid to the position and location of the transducer. Fig. 5 shows the required position. Failure to follow this instruction may result in an inoperable system.

- An Ashcroft XTP-sensor used for sensing draft should be mounted within six (6) feet of the stack probe.
- An Ashcroft XTP-sensor used for sensing room pressure should be mounted within fifty (50) feet of the Outdoor Pressure Probe.

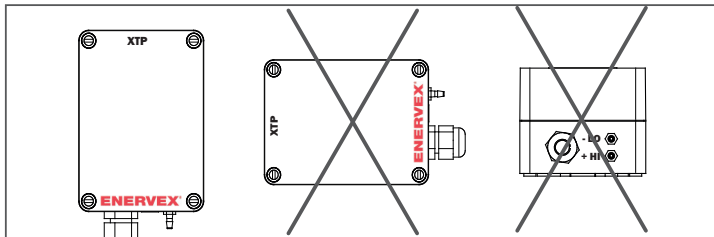


Fig. 4

3.4 Mounting of stack probe

The probe (Fig. 2a on page 5) is inserted into the chimney or vent at the point where the draft should be kept constant. This could be at the appliance outlet, in the vent or similar.

Referring to Fig. 2, make sure the tip of the tube is flush with the inner wall of the stack. Inserting it too far may affect the reading and thereby the operation.

3.5 Connecting transducer to stack probe

The transducer is connected to the stack probe via a silicone tube. Make sure that the tube is connected to the proper transducer port as shown in Fig. 5.

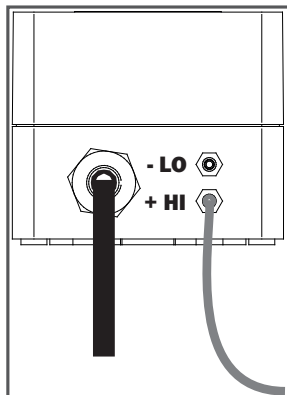


Fig. 5

⚡ 4. Electrical installation

8

4.1 General

DANGER



Turn off electrical power before servicing. Contact with live electric components can cause shock or death.

Mettre hors tension avant toute opération de maintenance. Le contact avec des composants sous tension peut entraîner un choc électrique ou la mort.

NOTE



MEC24 is designed for 1x120 VAC power supply only. Fan output is regulating on the phase side and cannot be connected to other circuits.

MEC24 est conçu uniquement pour une alimentation de 1x120 VCA. La sortie du ventilateur est réglée sur le côté phase et ne peut pas être connectée à d'autres circuits.

The control can be used in two ways:

- Connected so the fan runs continuously independent of appliance operation (see paragraph 4.2).
- Interlocked with an appliance so the appliance operation indirectly controls the fan operation (see paragraph 4.3).

In both cases the control will still monitor and maintain a constant draft.

There are two types of safety systems available:

- Integrated Proven Draft Switch (standard)
- Integrated Proven Draft Switch with external Proven Draft Switch (accessory) backup (see paragraph 4.4).

The terminals are connected as shown on fig. 6:

Terminal	Use	Terminal	Use
1	Power Supply-PE Ground	18	Burner 2 relay contact-Normally Open (max. 120 VAC, 4 Amps.)
2	Power Supply-L1	19	Burner 2 relay contact-Common (max. 120 VAC, 4 Amps.)
3	Power Supply-N	20	Control signal VFD 0 VDC
4	Chimney Fan-N	21	Control signal VFD 0-10 VDC
5	Chimney Fan-L1 (Regulating)	22	XTP-0 VDC Power Supply (transducer)
6	Chimney Fan-PE Ground	23	XTP-24 VDC Power Supply (transducer)
7	VFD Relay NO	24	XTP-0-10 VDC Return Signal (transducer)
8	VFD Relay C	25	RS485 0V
9	Alarm Out-NC	26	RS485 A
10	Alarm Out-NO	27	RS485 B
11	Alarm Out-C	28	0VDC Power Supply
12	Voltage Input from Appliance / Boiler 1 thermostat Optocoupler (+) (10-120 VAC/DC)	29	24 VDC Power Supply (Max 100 mA)
13	Voltage Input from Appliance/Boiler 1 thermostat Optocoupler (-) (10-120 VAC/DC)	30	PDS-NC (Normally Closed) Proven Draft Switch
14	Burner 1 relay contact-Normally Open (max. 120 VAC, 4 Amps.)	31	PDS-NO (Normally Open) Proven Draft Switch
15	Burner 1 relay contact-Common (max. 120 VAC, 4 Amps.)	32	PDS-C (Common) Proven Draft Switch
16	Voltage Input from Appliance / Boiler 2 thermostat Optocoupler (+) (10-120 VAC/DC)	33	Buzzer-24 VDC Supply
17	Voltage Input from Appliance / Boiler2 thermostat Optocoupler (-) (10-120 VAC/DC)	34	Not used
		35	Buzzer Signal

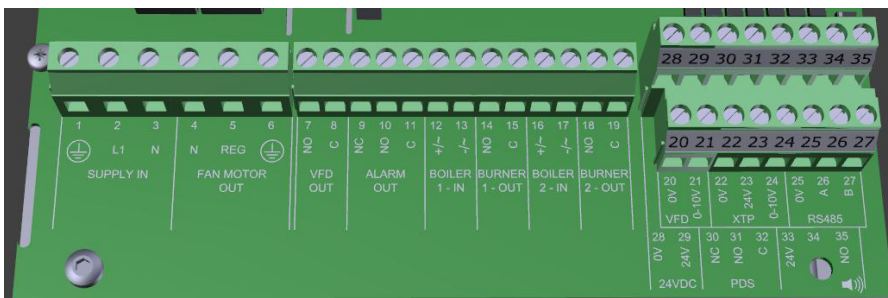


Fig. 6

4.2 Continuous chimney fan operation

Fig. 7 shows how to connect a chimney fan to the MEC24 if continuous operation is needed:

- Connect the power supply to terminals 1, 2 and 3.
- Jump terminals 13 and 28.
- Jump terminals 12 and 29
- Jump terminals 30 and 32
- Connection to the appliance(s):
 - ▶ Connect the start signal from the burner to terminals 14 and 15.
- To connect the chimney fan:
 - ▶ If using a 1x120V chimney fan, connect it to terminals 4, 5 and 6. Refer to the fan's Installation Manual.
 - ▶ If using a 3-phase fan and VFD, connect the VFD to terminals 20 and 21 as shown in Fig. 10 and 11. **DO NOT** connect the fan directly to the MEC24 control.
- Connect the XTP transducer to terminals 22, 23 and 24.

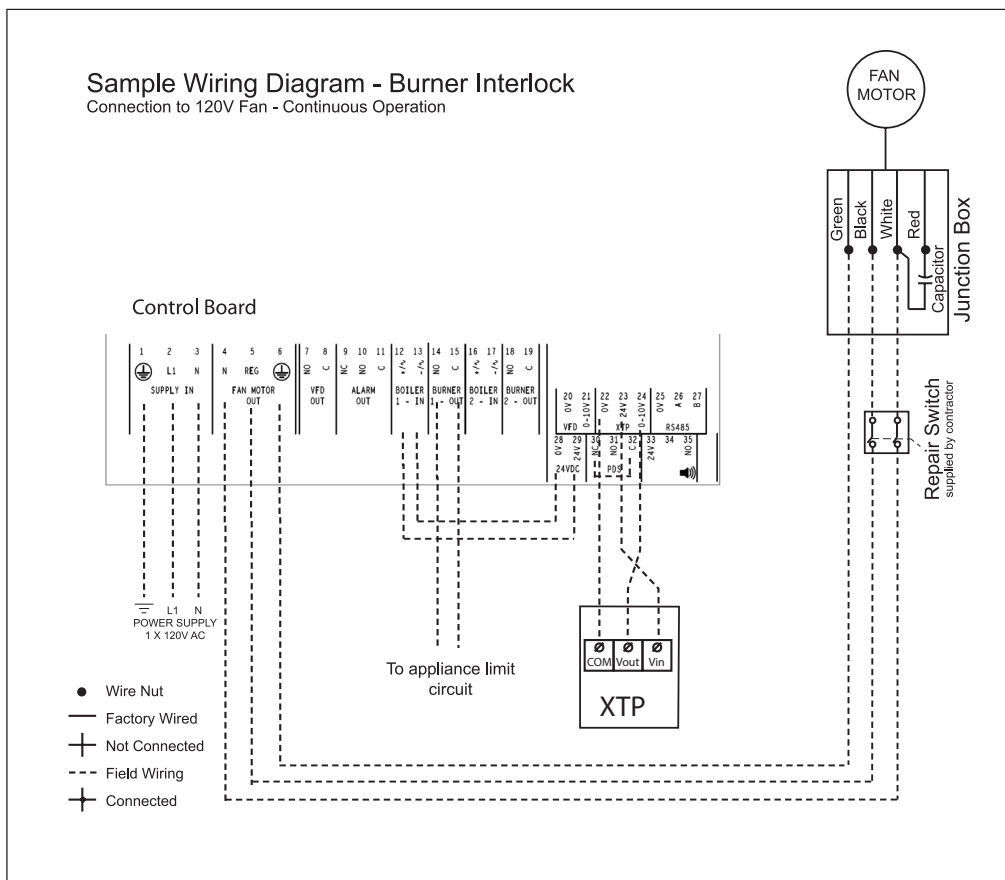


Fig. 7

Interlock with dry set of contacts

Figure 9 shows how a dry set of contacts is connected to the MEC24:

- Connect the power supply to terminals 1, 2 and 3.
- Connection to the appliance:
 - ▶ Connect the dry set of contacts to terminals 12 and 13.
 - ▶ Connect the start signal to the burner to terminals 14 and 15.
- To connect the chimney fan:
 - ▶ If using a 1x120V chimney fan, connect it to terminals 4, 5 and 6. Refer to the fan’s Installation Manual.
 - ▶ If using a 3-phase fan and VFD, connect the VFD to terminals 20 and 21 as shown in Fig. 10 and 11. **DO NOT** connect the fan directly to the MEC24 control.

Connect the XTP transducer to terminals 22, 23 and 24

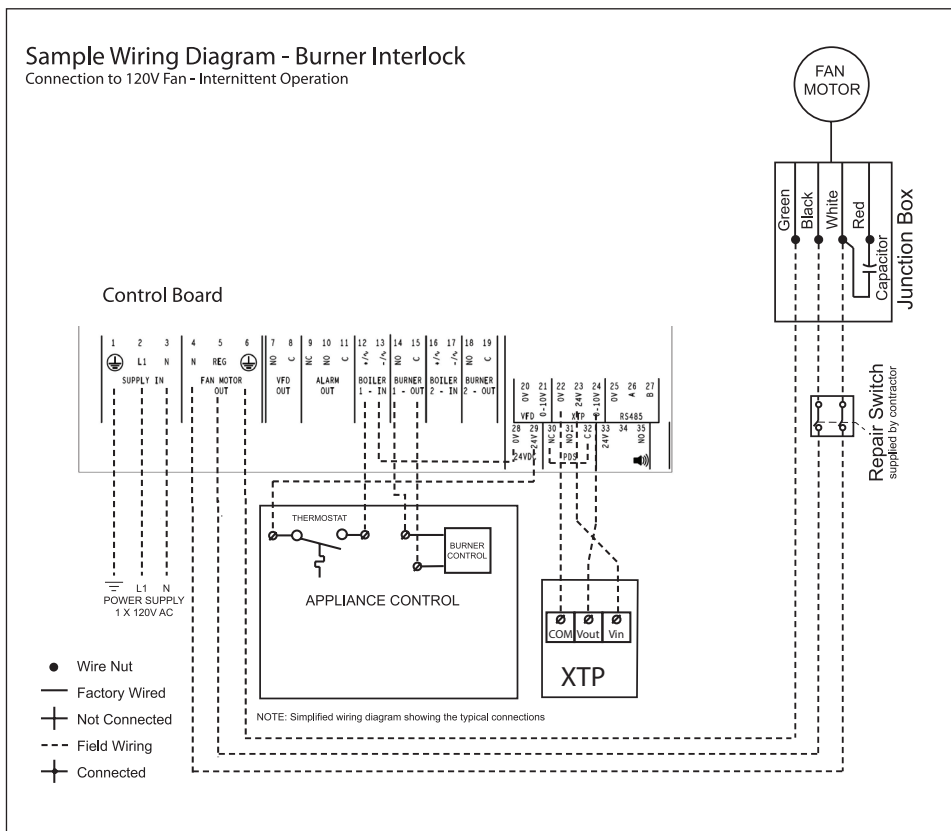
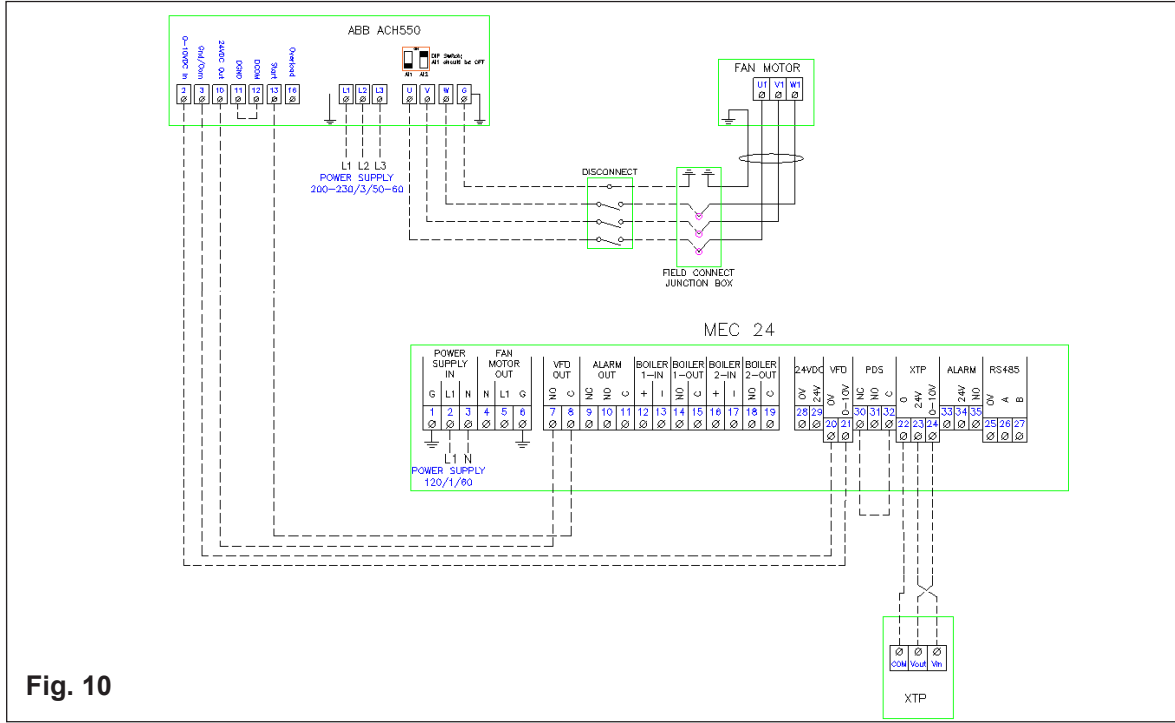


Fig. 9

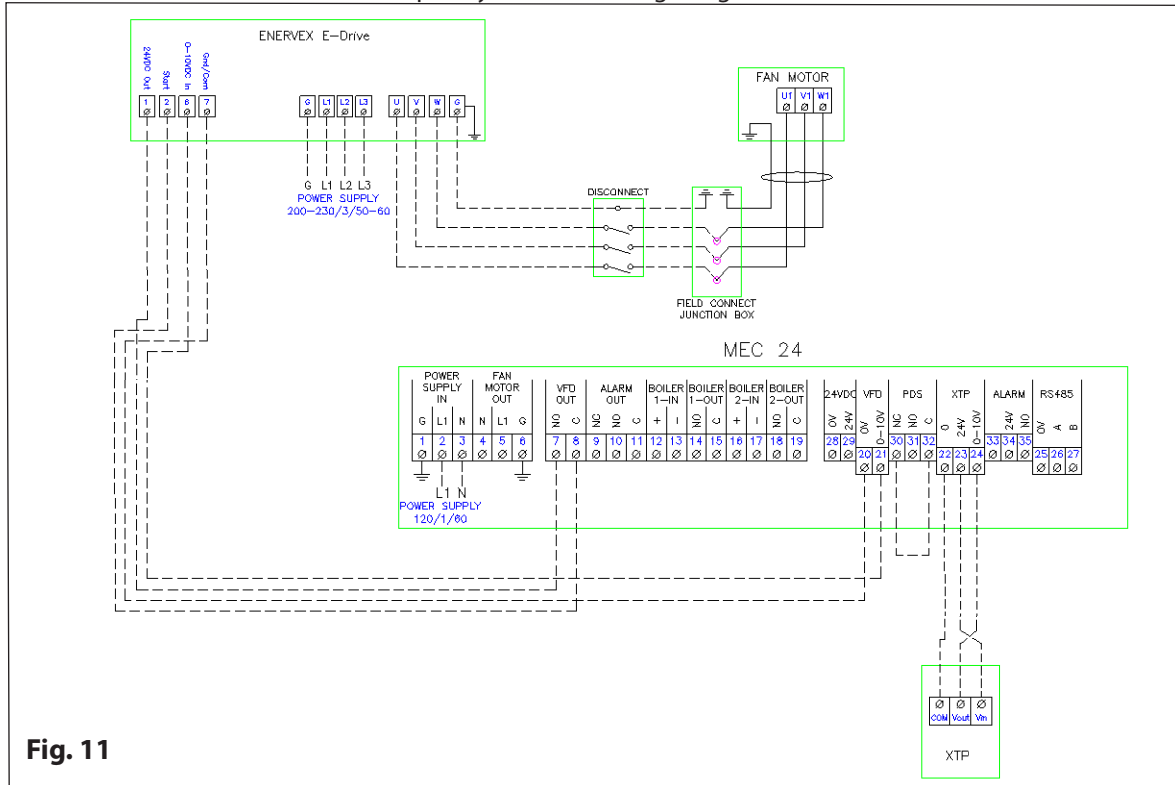
4.4 Connection to a variable frequency drive

12

To connect the 3-phase fan and variable frequency drive (VFD), connect the VFD to terminals 20 and 21 of the MEC24. **DO NOT** connect the fan directly to the control. Wire the ABB ACH550 series variable frequency drive according to fig. 10.



Wire the EnerveX E-Drive variable frequency drive according to fig. 11.



4.5 Integrated Proven Draft Switch with external Proven Draft Switch backup

Fig. 12 shows how to connect a external Proven Draft Switch (PDS) to the MEC24. The external PDS is a backup to the integrated PDS and both must be satisfied by sufficient draft to release the appliance:

- Remove the factory installed jumper over terminals 30 and 32.
- Connect the switch to terminals 30, 31 and 32 as shown on fig. 12.

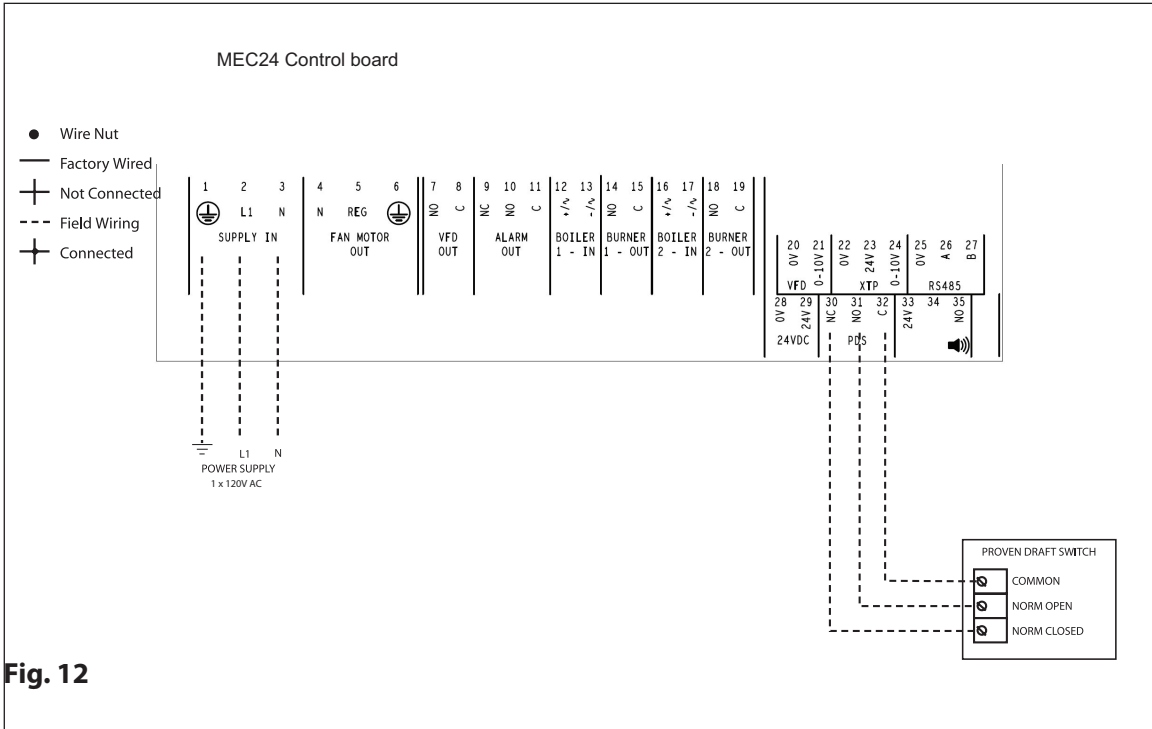


Fig. 12



5. Startup and configuration

5.1 General

When power is supplied to the control it will go through a start-up procedure to detect and check all components and appliances installed.

5.5 Basic control set-up

Once power is turned ON the control can be programmed. Most parameters are programmed at the factory and do not need to be changed. The most common parameters are shown below.

To enter the setup menu, press the "✓" key for more than 5 seconds. The password 3142 must be entered using the up and down buttons, and after that press the "✓" key.

Menu 11: SET EXHAUST

For setting the draft or exhaust pressure. The setpoint can be set between the minimum and maximum values of the XTP-sensor (Up to +/- 4 inWC)

(The [inWC] units can be changed to [Pa] in the menu 412.)

Menu 12: EXHAUST OPERATING MODE

The control can operate the fan(s) in either '*continuous*' or '*intermittent*' mode. The mode can be changed via the display in menu 12.

In '*continuous*' mode the fan operates continuously. During times when the heating appliance(s) is not operating, the fan will still operate although at its lowest capacity. Some exhaust will be pulled through the appliance. The chimney is always primed and there is no real need for pre- and post-purge functions. The energy consumption in this mode is minimal. In '*intermittent*' mode the fan only operates if at least one appliance is operating. When no appliance(s) is operating the fan shuts down. In this mode, pre- and post-purge functions are very important and must be set. This mode offers the lowest energy consumption.

If a heating system operates constantly, or the time between cycles is very short (less than 5-10 minutes), '*continuous*' mode should be considered. Otherwise, '*intermittent*' mode should be selected.

There is no need to set this value, if the control is used to control the supply of combustion air.

If used with a damper actuator, set for '*continuous*' operation.

Menu 13: SET EXHAUST PRE-PURGE

When operating in '*intermittent*' mode it is important to set the pre-purge. Pre-purge is the period from when there is a call for heat until the control allows the appliance to start assuming the fan is operating at the proper capacity. The setting can be anywhere from 0 to 1800 seconds.

There is no need to set this value, if the control is used to control the supply of combustion air.

Menu 14: SET EXHAUST POST-PURGE

When operating in '*intermittent*' mode it is important to set the post-purge. Post-purge is the period from when the appliance shuts down until the control allows the fan to shut down assuming there are no more products of combustion in the chimney system. The setting can be anywhere from 0 to 1800 seconds.

There is no need to set this value, if the control is used to control the supply of combustion air.

5.6 Detailed control programming

Menu 331: Bearing Cycle

If the boilers has not been active for 24 hours, the TRIAC and 0-10V outputs are active once every 24 hours for 1 minute. The output to the fans is the minimum output specified in menu 164.

Menu 332: Draft Input Delay

If a PDS is connected to the terminals 30 and 32 in stead of the jumper installed, the draft can be monitored. If set to 0 seconds, the control goes into alarm state instantly. Otherwise according to the setting between 1-20 seconds.

Menu 333: Prime function

This function allows the burners of the boilers to be activated, even though the desired set point has not been reached. If set to 0, the function is disabled. If the draft setpoint is not reached within the set value, the burner outputs are disabled. The idea of the function is to allow the stack to be heated to create natural draft.

Menu 362: USB logging

The MEC24 can be set to log on a USB-memory stick if the menu 492 is set to "USB" If this is done, two files will be created: one with the alarm log and one with the values of the XTP sensors and 0-10V. The files are .CSV files.

The output format is:

[Unix time], [Exhaust XTP 0-1024], [Intake XTP 0-1024], [Exhaust VFD 0-1024], [Intake VFD 0-1024], [Damper Out 0-1024], [MODS XTP 0-1024]. The value between 0-1024 is a fraction of 10V, meaning that a value of 423 equals 4.13 V.

Menu 365: Firmware upgrade

The MEC24 can be firmware upgraded using a USB-memory stick. Insert the USB-memory stick with the firmware in the USB connector on the front of the control. Go to the 362 menu, and select the correct file to be programmed. Press the ✓ button to start the update. The update takes approx. two minutes.

Note! If the programming fails, power off the control. Press the x button and power up the control again. Doing this will reupload the latest working firmware.

6. Settings and troubleshooting

16

6.1 Troubleshooting

Most terminal connections are monitored for proper operation. LED lights indicate operating status. If a light is lit, it indicates everything is functioning properly while a light out indicates a problem on the circuit it monitors. In addition, fault codes are shown on the display.

The fault codes are:

Display	Explanation
Exhaust Draft Alarm	Insufficient draft pressure. Can be caused by: <ol style="list-style-type: none"> 1. Chimney fan does not have enough capacity 2. Mechanical or electrical fan failure 3. Blocked chimney 4. Introduction of excessive dilution air 5. XTP sensor not responding correctly
Intake Draft Alarm	Incorrect boiler room pressure. Can be caused by: <ol style="list-style-type: none"> 1. Intake fan does not have enough capacity 2. Mechanical or electrical fan failure 3. Blocked intake 4. XTP sensor not responding correctly
Draft Alarm	If the jumper between terminal 30 and 32 is removed or if a PDS is connected, this error occurs.
Power Fault	Indicates there has been a power fault/cut during operation, where the control has been re-started/Power Cycled.
Exhaust Error	Indicates a disconnected signal from the XTP-Sensor on the exhaust side to the control Can be caused by: <ol style="list-style-type: none"> 1. Loose connections 2. Faulty XTP-sensor 3. Faulty controller
Start Alarm	Indicates that the control has not been able to release the heating appliance(s) within 15 minutes.
Hardware Error	Missing signal from PDS-function. Indicates a faulty function.

6.2 Settings

Menu	Sub-menu	Display	Description	Range	Default	
1		REGULATION				
	11	SET PRESSURE	Adjustment of exhaust setpoint.	-4 to 4 inWC	-0.1 inWC	
	12	OPERATION MODE	Continuous or intermittent operation. In intermittent mode the exhaust fan runs only if one or more boiler inputs are active.	Continuous/ Intermittent	Intermittent	
	13	PRE-PURGE	Pre-purge settings.			
	131	TIME	Pre-purge time in seconds	0-1800	0	
	132	SPEED MODE	Select variable if the pre-purge should be controlled by the XTP-sensor or have a fixed speed.	Variable / FIX 20-100%	FIX 100%	
	14	POST-PURGE				
	141	TIME	Post-purge settings.	0-1800	0	
	142	SPEED MODE	Select variable if the post-purge should be controlled by the XTP-sensor or have a fixed speed.	Variable / FIX 20-100%	Variable	
	15	SENSOR				
	151	RANGE MIN	XTP minimum pressure in inWC	-4 - 4	-1 inWC	
	152	RANGE MAX	XTP Maximum pressure in inWC	0 -4	1 inWC	
	16	PROPERTIES				
	161	ALARM PERCENTAGE	Select the alarm limit of the draft. The value is in % of the set point.	If 1610 = "Negative" -> 50 - 80 %. If 1610 = "Positive" -> 150 - 300 %"	64 % (1610 = "Negative") 144 % (1610 = "Positive")	
	162	ALARM MANUAL				
		1621	LOW ALARM LIMIT	The low part of the limits for the Intake/ Exhaust draft alarm	MENU 151 to MENU 11	-0.4 inWC
		1622	HIGH ALARM LIMIT	The high part of the limits for the intake/ Exhaust draft alarm	MENU 11 to MENU 152	0.4 inWC
		1623	MODS LOW ALARM LIMITS	The low part of the limits for the MODS draft alarm	MENU 151 to MENU 11	-0.6 inWC
		1624	MODS HIGH ALARM LIMITS	The high part of the limits for the MODS draft alarm	MENU 11 to MENU 151	0.6 inWC
		1625	USE MANUAL LIMITS		Yes / No	Yes
	163	ALARM DELAY	Select a alarm delay from 0-120 seconds.	0 - 120 s	15	
	164	SPEED MIN	Mimimum speed of the fan	0 - MENU 165	15 %	
	165	SPEED MAX	Maximum speed of the fan.	MENU 164-100%	100	
	166	PRESSURE Xp	Proportional gain.	0-30	15	
	167	PRESSURE Ti	Integral gain.	0-30	8	
	168	SAMPLING RATE	Set the sampling rate for the PID Loop	2-10 ms	10	
	169	PRESSURE MODE	Positive, negative or bidirectional pressure in the stack.	Positive, Negative or Bidirectional	Bidirectional	
	1610	APPLICATION	Sets if the control has to work as Exhaust or Intake	Exhaust / Intake / Mods	Exhaust	
2						
	21	ERROR	The error is shown here			
	22	ERROR LOG	The last 10 alarms will be saved in the menu.			
	23	RESET	Selecting "AUTO" will automatic reset the alarm after 15 seconds. If "MAN" is selected, the "X" has to be pressed.	MAN / AUTO	AUTO	

Menu	Sub-menu	Display	Description	Range	Default
3		SERVICE			
	31	VERSION	Software version is showed.		
	32	I/O-VIEW			
	321	BURNER I/O AUX OUT XXX AUX IN XX	In this menu the status of the boiler I/O is shown. By pressing ✓ the AUX OUT relays can be activated by pressing up and down. Multiple activations of the ✓ button will move from relay 1 to 6		
	322	XTP AND FAN I/O XTP x.xV OFF VFD x.xV OFF	XTP, VFD and VFD relay status for Exhaust.		
	323	DRAFT INPUT ON/ OFF	Draft Input I/O status.		
	324	ALARM OUT OFF	Alarm relay output status.		
	33	OPTION			
	331	BEARING CYCLE	Selecting "YES" will enable a bearing cycle on present fans, if the boilers has not been active for 24 hours.	ON/OFF	ON
	332	DRAFT INPUT DELAY	The delay before the control goes into Draft Alarm	0-20 s	0 s
	333	PRIME	Selecting a number from 0-250 will enable the prime function. This allows the boilers to be activated even though no sufficient draft is present.	0-250 s / OFF	0 s
	334				
	3341	BAUDRATE		9600-57600	19200
	3342	PARITY		EVEN, ODD, NONE	EVEN
	3343	ADDRESS	Modbus address	1-247	1
	3344	START ENABLE	If Start Enable is set to "On" the controller can be started and stopped using modbus	ON/OFF	OFF
	335	START ALARM	If the parameter is set to 0, the control will go into start alarm after 15 minutes with insufficient pressure. When set to 1-15 minutes, the control will go to alarm state after the set delay	0-15 min	15
	34	FACTORY	If "YES" is selected, a factory reset will be performed.	YES/NO	NO
	35	MANUAL MODE	Entering a value from 10-100 % will start the fan at the set speed.		
	351		TRIAC/VFD Output	0-100 %	0
	36	USB CONFIG			
	361	FORMAT USB	Selecting "YES" will format the USB flash drive. Notice! All data will be erased!	YES / NO	NO
	362	DATA LOG USB / INTERNAL	Selecting "USB" will store the alarm log on the USB flash drive, "INT" will store the log in the internal memory.	USB / INT	INT
	363	SAVE CONFIG FILE	Selecting "YES" provides the possibility to select configuration files stored on the USB flash drive.	YES / NO	NO
	364	LOAD CONFIG FILE	Selecting "YES" will download the current configuration to the USB flash drive.	YES / NO	NO
	365	UPGRADE FIRM- WARE	This function provides the possibility to upgrade the firmware by means of a USB Stick		
	37	ENABLE PIN	If enabled, the user will have to enter the PIN "3142" to access the menu	ON / OFF	OFF
4		USER INTERFACE			
	41	DISPLAY			
	411	LANGUAGE	Language.	ENG / FRA / ESP	ENG
	412	UNITS	Pa or inWC units.	Pa / inWC	inWC
	413	LCD BACKLIGHT	LCD backlight turned on or not. The USE parameter will cause the backlight to be turned on if a button is pressed.	ON / OFF / USE	ON
	414	LCD CONTRAST		10 – 100 %	50
	415	DISPLAY DRIVER	Changes how the LCD driver is driven. Change the settings from AUTO if the display is hard to read.	Low Density, High Density and AUTO	AUTO

Distributor in USA & Canada



ENERVEX Inc.
1685 Bluegrass Lake Parkway
Alpharetta
GA 30004

P: 770.587.3238
F: 770.587.4731
T: 800.255.2923
info@energex.com
www.energex.com