

MFD

Mechanical Fireplace Damper

Use

The MFD Mechanical Fireplace Damper is a low profile, automated fireplace damper. It is for use in conjunction with an ADC100 control as part of the EcoDamper System or ADC150 as part of the IntelliDraft System along with a RS model chimney fan. For gas-only applications, where sufficient draft is present, the MFD and ADC100 or ADC150 control can be used as a stand alone system.

It prevents excess heat from escaping through the chimney when the fireplace is not in use, and to prevent backdraft down the chimney.

The MFD is designed for chimney top installations and is for use with gas fireplaces only.

Description

The MFD is powered by a 120 or 24 VAC actuator. The actuator is interlocked to the control so it only operates when the fireplace is in use and the fan is running. When there is a call for heat from the fireplace, the ADC100 control begins its operational sequence to open the damper and start the chimney fan. Once the damper opens and there is sufficient draft in the chimney, the control releases the gas valve for fireplace operation.

The actuator has two endswitches to prove damper position (open or closed) and is equipped with the Enerdrive fail safe system to open the damper in the event of an electrical or mechanical failure.

The damper is rated for temperatures up to 575°F (300°C).

Material

All metal components are 304 stainless steel.

Standard Equipment

Damper with chimney adapter and actuator in



weatherproof enclosure.

Listings

Actuator is CSA and CE listed.

Warranty

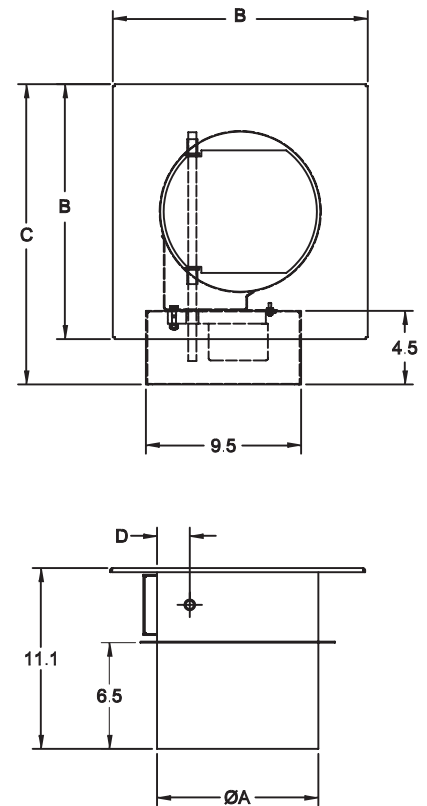
2 year factory warranty.

Volko Supply
www.enervefansource.com
800 685 8263

Specifications

Fan Model:		RS009 and RS012			
Chimney Size:		8"	10"	12"	
Dimensions:	Ø A	in	7.87	9.87	11.87
		mm	200	251	301
	BxB	in	15.6	15.6	15.6
		mm	396	396	396
	C	in	17.6	18.5	19.3
		mm	447	470	490
	D	in	1.75	2.0	2.5
		mm	44	51	64

Fan Model:		RS014 and RS016			
Chimney Size:		8"	10"	12"	
Dimensions:	Ø A	in	7.87	9.87	11.87
		mm	200	251	301
	BxB	in	19.0	19.0	19.0
		mm	483	483	483
	C	in	19.7	20.6	21.5
		mm	500	523	546
	D	in	1.75	2.0	2.5
		mm	44	51	64



Volko Supply
www.enervexfansource.com
800 685 8263