

MFD-S

Manual Fireplace Damper- Solid Fuel

Use

The MFD-S Manual Fireplace Damper for solid fuel prevents excess heat from escaping through the chimney when the fireplace is not in use, and to prevent backdraft down the chimney.

The MFD-S is designed for chimney top installations and is for use with solid fuel fireplaces and appliances.

Description

The MFD-S is a manual fireplace damper with a gravity actuated damper. It is designed to be used with round chimney pipe systems. Although it is designed to support and function with an ENERVEX chimney fan, it works equally well without it. It is used as a replacement for worn-out, zero clearance fireplace dampers. It is easy to open with pull chain and handle (included) mounted in the fireplace.

The MFD-S is easy to install because the damper simply slides inside the flue.

Material

All metal components are 304 stainless steel.

Standard Equipment

30' cable and mounting hardware

Warranty

2 year factory warranty.

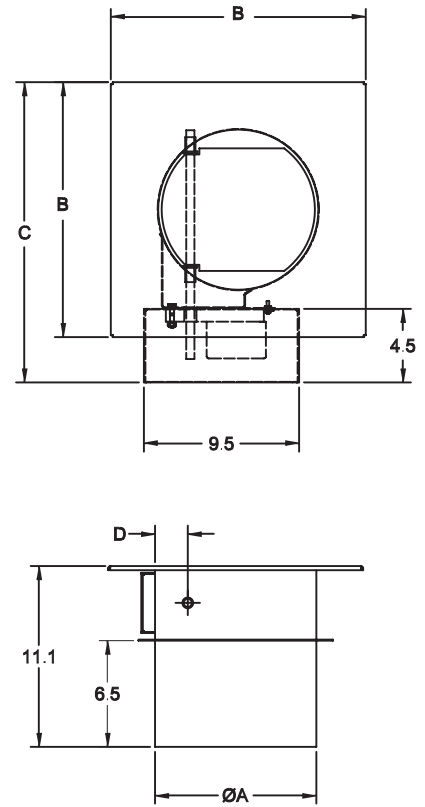


Volko Supply
www.enervefansource.com
800 685 8263

Specifications

Fan Model:		RS009 and RS012			
Chimney Size:		8"	10"	12"	
Dimensions:	Ø A	in	7.87	9.87	11.87
		mm	200	251	301
	BxB	in	15.6	15.6	15.6
		mm	396	396	396
	C	in	17.6	18.5	19.3
		mm	447	470	490
	D	in	1.75	2.0	2.5
		mm	44	51	64

Fan Model:		RS014 and RS016			
Chimney Size:		8"	10"	12"	
Dimensions:	Ø A	in	7.87	9.87	11.87
		mm	200	251	301
	BxB	in	19.0	19.0	19.0
		mm	483	483	483
	C	in	19.7	20.6	21.5
		mm	500	523	546
	D	in	1.75	2.0	2.5
		mm	44	51	64



Volko Supply
www.enervexfansource.com
800 685 8263