

# Curb Cap CCG

## Description

The CCG Curb Cap is specifically designed for use with the RCF Roof Curb for the GSV Grease Fan and the BESB Box Ventilator. An optional neoprene gasket ensures a tight fit between the fan and the cap.

## Material

The curb cap is made of 16GA galvanized steel. All corner seams are welded liquid-tight. The neoprene mat should be 1/4" thick (SOLD SEPARATELY).

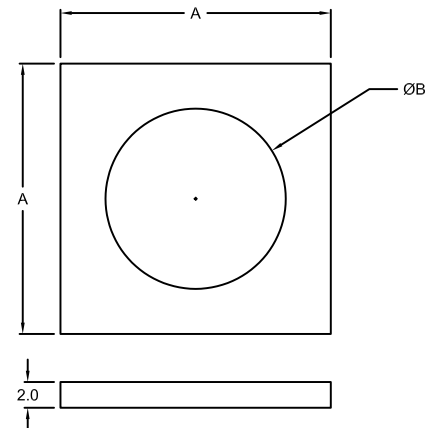
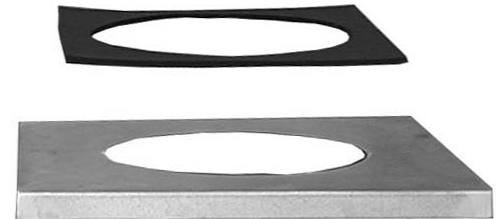
## Warranty

2-year factory warranty

## Specifications

All curbs and Curb Caps are available in these and other standard sizes.

Model	Roof Curb	Dimensions		Fan
		A x A (in)	B (in)	
CCG 19-11	RCF 18	19 x 19	11	GSV 012
CCG 19-13	RCF 18	19 x 19	13	GSV 014, 250
CCG 21-10	RCF 20	21 x 21	10	GSV 250
CCG 21-16	RCF 20	21 x 21	16	GSV 315
CCG 26.5-16	RCF 25	26.5 x 26.5	16	GSV 315, 400, 450
CCG 33-11	RCF 32	33 x 33	11	BESB 250
CCG 35-13	RCF 34	35 x 35	13	BESB 315
CCG 37-17	RCF 36	37 x 37	17	BESB 400
CCG 41-21	RCF 40	41 x 41	21	BESB 500



**Volko Supply**  
[www.enervexfansource.com](http://www.enervexfansource.com)  
**800 685 8263**