

Roof Curb

RCF

Description

The RCF Roof Curb is a self-flashing type of curb designed for use with GSC, EFV and BESB models on flat roofs. The design makes installation very easy and eliminates the need for securing roofing papers onto the side of the curb wall. A flange is provided for fastening into the roof deck, so roof material only needs to cover the flange.

A neoprene gasket is secured onto the top of the curb. Wood nailers are not required but can be supplied as an option.

Material

The roof curb is made of 18GA Galvanized steel and is fully welded. All corner seams are liquid-tight due to the continuous weld. The standard curb is not insulated, but as an option it can be supplied with 1 1/2" thick insulation for thermal protection and soundproofing.

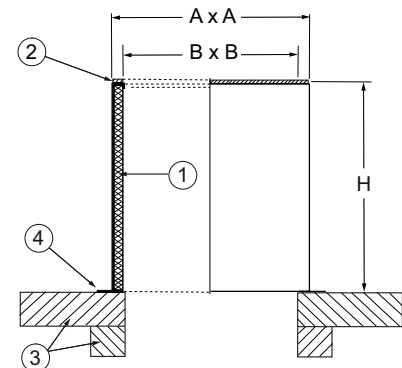
Warranty

2-year factory warranty

Specifications

RCF Roof Curbs are available in these and other standard sizes.

Model	Dimensions			Fan(s)
	H (in)	A x A (in)	B x B (in)	
RCF 18	31	18 x 18	15 x 15	GSV 012, 014, 250
RCF 20	31	20 x 20	17 x 17	GSV 250, 315
RCF 25.5	27	25.5 x 25.5	22.5 x 22.5	GSV 315, 400, 450
RCF 32	24	32 x 32	29 x 29	BESB 250
RCF 34	24	34 x 34	31 x 31	BESB 315
RCF 36	24	36 x 36	33 x 33	BESB 400
RCF 40	24	40 x 40	37 x 37	BESB 500



1. 1 1/2" Insulation (Optional)
2. Neoprene Gasket (Optional)
3. Roof Structure (By Others)
4. Fastening Flange (2")

Volko Supply
www.enervefansource.com
800 685 8263